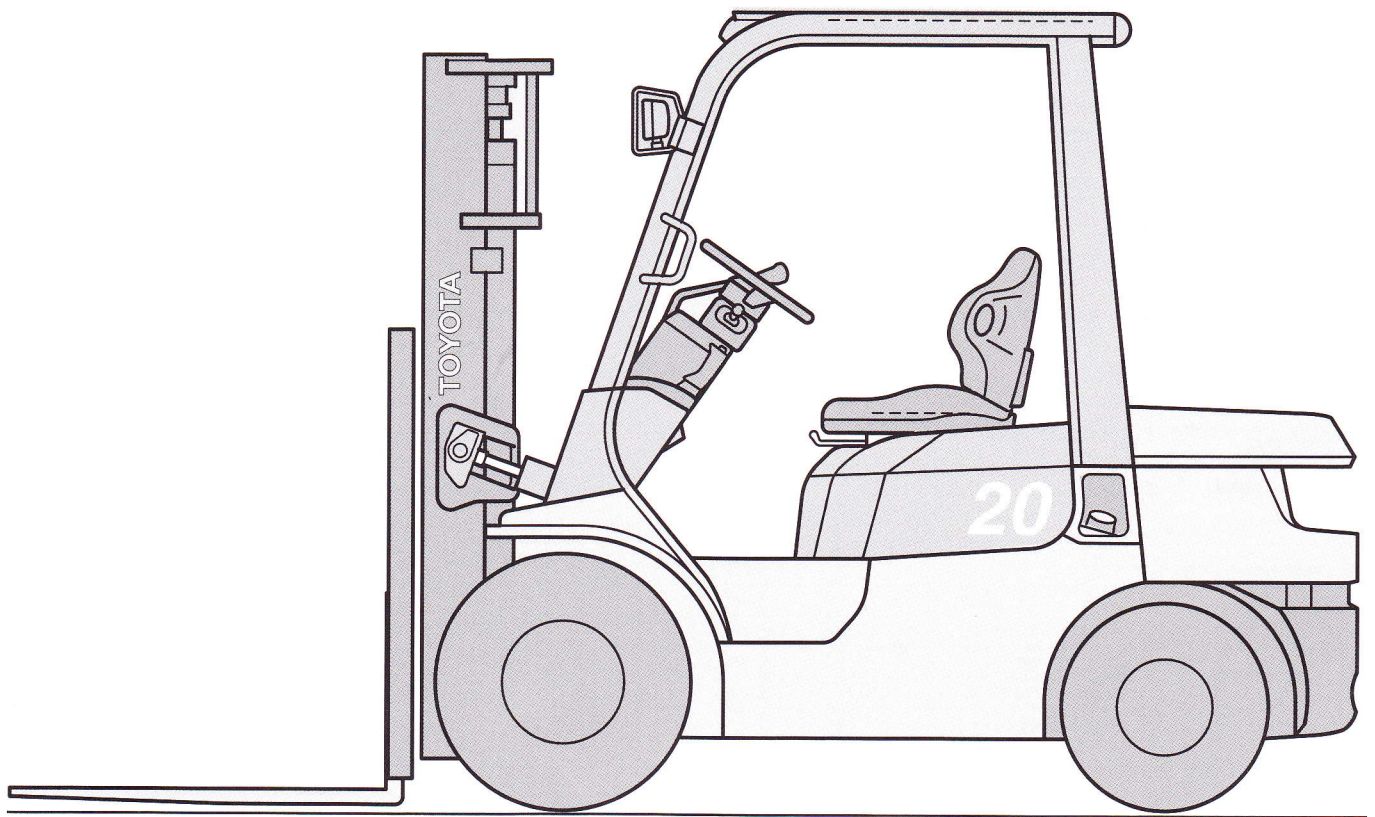


# Engine Powered Forklift

7FGF/7FDF

# 1.5 to 5.0 ton

Series



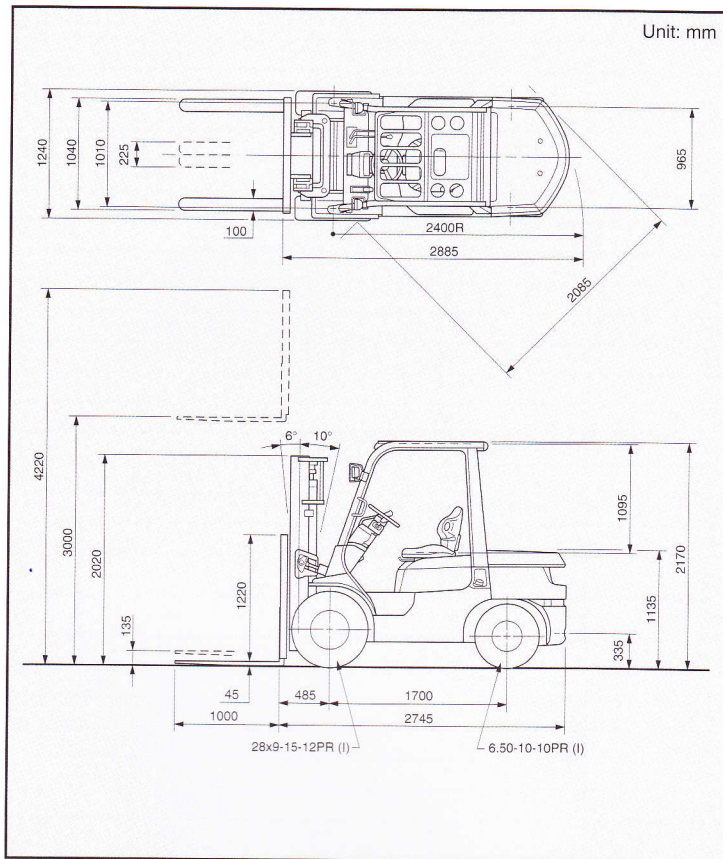
# 3,000 kg

## MAIN VEHICLE SPECIFICATIONS

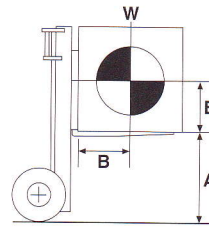
Characteristics	1	Manufacturer			TOYOTA	TOYOTA	TOYOTA	1	
	2	Model			02-7FGF30	02-7FDF30	62-7FDF30	2	
	3	Load Capacity		kg	3000	3000	3000	3	
	4	Load Center		mm	500	500	500	4	
	5	Power Type			Gasoline	Diesel	Diesel	5	
	6	Operator Position			Rider Seated	Rider Seated	Rider Seated	6	
	7	Tire Type	Front/Rear			Pneumatic	Pneumatic	Pneumatic	7
	8	Wheels (x = driven)	Front/Rear			2x/2	2x/2	2x/2	8
Dimensions	9	Maximum Fork Height (MFH)		mm	3000	3000	3000	9	
	10	Free Lift		mm	135	135	135	10	
	13	Fork Size	T x W x L		mm	45x100x1000	45x100x1000	45x100x1000	13
	14	Tilt Range	FWD/BWD		deg	6/10	6/10	6/10	14
	15	Length to Fork Face		mm	2745	2745	2745	15	
	16	Overall Width		mm	1240	11240	1240	16	
	17	Mast Lowered Height		mm	2020	2020	2020	17	
	18	Mast Extended Height		mm	4220	4220	4220	18	
	19	Overhead Guard Height		mm	2170	2170	2170	19	
	21	Turning Radius (Outside)		mm	2400	2400	2400	21	
	22	Load Distance (Centerline of front axle to front face of forks)		mm	485	485	485	22	
	23	Basic Right Angle Stacking Aisle Width (Add load length and clearance)		mm	2885	2885	2885	23	
	Performance	24	Travel, Max. (FWD/RVS)	Full Load	km/h	18.5/18.5	19/19	18.5/18.5	24
				No Load	km/h	19/19	19.5/19.5	19/19	
			25	Lifting	Full Load	mm/sec	510	550	500
No Load					mm/sec	550	570	530	
26		Lowering	Full Load	mm/sec	500	500	500	26	
			No Load	mm/sec	500	500	500		
28		Max. Drawbar Pull	Full Load	N	18000	19500	18500	28	
			No Load	N	9800	9800	9800		
29		Gradeability at 1.5 km/h (1mph) *		Full Load	% (tanθ)	22	23	22	29
30		Max. Gradeability *	Full Load	% (tanθ)	25	26	25	30	
	No Load		% (tanθ)	19	19	19			
Weight	32	Total Weight		kg	4340	4450	4410	32	
	33	Weight Distribution	Full Load	Front	kg	6430	6470	6460	33
				Rear	kg	910	980	950	
	34		No Load	Front	kg	1690	1740	1720	34
Rear				kg	2650	2710	2690		
Wheels and Tires	35	Tires	Number	Front/Rear		2/2	2/2	2/2	35
			36	Size	Front		28x9-15-12PR (I)	28x9-15-12PR (I)	
	37	Rear				6.50-10-10PR (I)	6.50-10-10PR (I)	6.50-10-10PR (I)	37
	38	Wheelbase		mm	1700	1700	1700	38	
	39	Tread	Front	mm	1010	1010	1010	39	
			Rear	mm	965	965	965		
	40	Underclearance	Min. with Load		mm	130	130	130	40
	41		Center of Wheelbase		mm	215	215	215	41
42	Brake	Service (Foot)			Hydraulic	Hydraulic	Hydraulic	42	
		Parking			Hand	Hand	Hand		
43	43		43			Hand	Hand	Hand	43
Drive Unit and Control	45	Battery	Voltage/Capacity (5HR)		V/AH	12-27	12/64	12/64	45
	49	Internal Combustion Engine	Make/Model			TOYOTA 4Y	TOYOTA 2Z	TOYOTA 1DZ-II	49
			Rated Horsepower/r.p.m.		kW	43/2600	49/2200	44/2600	50
			Rated Torque/r.p.m.		N-m	161/1800	215/1600	166/1600	51
			Number of Cylinder			4	4	4	52
			Piston Displacement		cc	2237	3469	2486	
	52	Fuel Tank Capacity		liter	65	65	65	52	
55	Transmission	Type			Powershift	Powershift	Powershift	55	
		Stage	FWD/RVS		1/1	1/1	1/1		
57	Operating Pressure	For Attachments		MPa	14.7	14.7	14.7	57	

NOTE: \* Computed values.

## DIMENSIONAL DRAWINGS



## LOAD CAPACITY CHART



A: Max. Fork Height  
B: Load Center  
W: Capacity

V, FV Mast Unit: kg (W)

A (mm)	4500	5000
500	3000	2600
B (mm)	600	2720
	1000	1980
		1720

FSV Mast Unit: kg (W)

A (mm)	4700	5000	5500	6000
500	3000	2600	1900	1500
B (mm)	600	2720	2360	1720
	1000	1990	1720	990

## SPECIAL TREAD

Model	7FGF/7FDF30	
Front Tire	Single/Dual	Single Dual
Front Tire Size		28x9-15-12PR (I) 28x8-15-12PR (I)
Overall Width	mm	1240 1675
Tread, Front	mm	1010 1240

## UNDERCLEARANCE mm

Mast	140
Drive Axle	145
Steer Axle	175
Center of Wheelbase	215
Counterweight	175

## MAST SPECIFICATIONS & RATED CAPACITIES

Mast Type	Maximum Fork Height	Overall Height		Free Lift		Single Tire			Dual Tire			
		Lowered	Extended		Without Load Backrest	With Standard Load Backrest	Tilt Range		Load Capacity at 500 mm LC	Tilt Range		Load Capacity at 500 mm LC
			Without Load Backrest	With Standard Load Backrest			FWD	BWD		FWD	BWD	
		mm	mm	mm	mm	mm	mm	deg	deg	kg	deg	deg
V	3000	2020	3710	4220	135	135	6	10	3000	6	10	3000
	3300	2170	4010	4520	135	135	6	10	3000	6	10	3000
	3500	2270	4210	4720	135	135	6	10	3000	6	10	3000
	3700	2430	4410	4920	135	135	6	10	3000	6	10	3000
	4000	2620	4710	5220	135	135	6	10	3000	6	10	3000
	4500	2870	5210	5720	135	135	6	6	3000	6	10	3000
5000	3120	5710	6220	135	135	6	6	2600	6	6	3000	
FV	3000	2020	3605	4220	1400 [1260]	800	6	10	3000	6	10	3000
	3300	2170	3905	4520	1550 [1410]	950	6	10	3000	6	10	3000
	3500	2270	4105	4720	1650 [1510]	1050	6	10	3000	6	10	3000
	3700	2430	4305	4920	1810 [1670]	1210	6	10	3000	6	10	3000
	4000	2620	4605	5220	2000 [1860]	1400	6	10	3000	6	10	3000
FSV	3700	1920	4305	4920	1305 [1225]	700	6	6	3000	6	6	3000
	4000	2020	4605	5220	1405 [1325]	800	6	6	3000	6	6	3000
	4300	2170	4905	5520	1555 [1475]	950	6	6	3000	6	6	3000
	4700	2270	5305	5920	1655 [1575]	1050	6	6	3000	6	6	3000
	5000	2430	5605	6220	1815 [1735]	1210	6	6	2600	6	6	2950
	5500	2620	6105	6720	2005 [1925]	1400	6	6	1900	6	6	2650
	6000	2870	6605	7220	2255 [2175]	1650	6	6	1500	6	6	2050
	6500	3120	7105	7720	2505 [2425]	1900	—	—	—	6	6	1600
	7000	3370	7605	8220	2755 [2675]	2150	—	—	—	6	6	1200